

EARTHING SYSTEMS

GUMT - Earthing control system / PTA - Earthing clamp



- Control and discharge system for electrostatic charges suitable for road tankers, rail tankers and any movable tanker for dangerous items
- Ready for one/two double circuit clamps PTA ISE0-2
- The system is complete with arrest/consensus optical warning and changeover contact free from output voltage.
- This solution is able to control the discharge of static charges driving it through a dedicated and safe path, safe because Explosion proof.

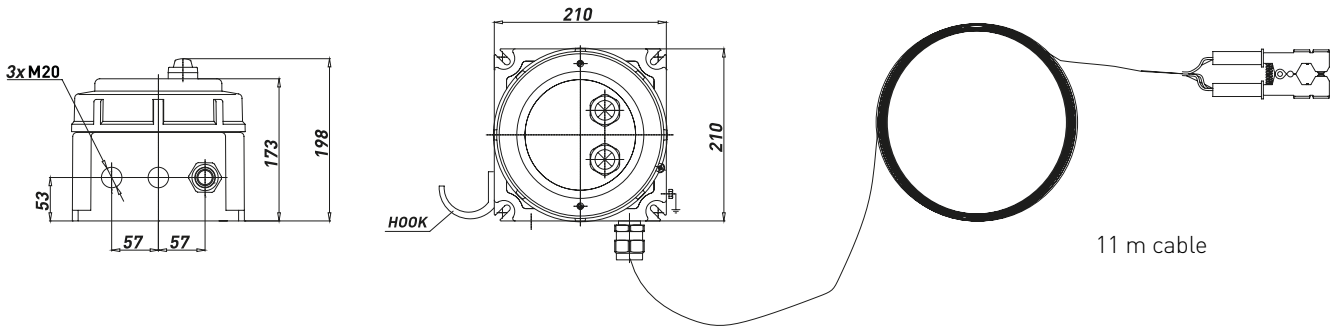
MARKING

II 2 G D
Ex db IIC T6 Gb
Ex tb IIIC T 85 Db

TECHNICAL FEATURES

Material	Copper-free aluminium Stainless steel AISI 316 L (different sizes than the standard indicated)		
IP rating	IP66		
Ambient temperature range	-20 °C to +55 °C		
Approvals	<table><tr><td><u>GUB</u> INERIS 22 ATEX 0008X IECEX INE 22.0012X</td><td><u>PTA</u> CESI 00 ATEX 101 X</td></tr></table>	<u>GUB</u> INERIS 22 ATEX 0008X IECEX INE 22.0012X	<u>PTA</u> CESI 00 ATEX 101 X
<u>GUB</u> INERIS 22 ATEX 0008X IECEX INE 22.0012X	<u>PTA</u> CESI 00 ATEX 101 X		
Surface treatment	Painted by polyurethane painting cycle - Blue RAL 5014 (other colours on request), C4 painting cycle is suitable for On-Shore: ·External environment: Industrial areas and coastal areas with moderate salinity ·Internal environment: Chemical plants, swimming pools, coastal plants and shipyards The Reference standard is UNI EN ISO 12944-1:2018		
Electrical data PTA:			
Rated nominal current	6 mA		
Rated nominal voltage	0,25 V		
Nominal current In	10A		
Insulation voltage	3kV		
Changeover contact rating (GUMT)	5 A		
Standard certificate label	Made by self adhesive UV and corrosion resistant polyester, approved by certified Laboratory.		
Optional accessories	Cable reel, Drain/breather valve, Internal anticondensate painting, Laminated plastic/Stainless steel certificate label. Cable reel (PTA)		

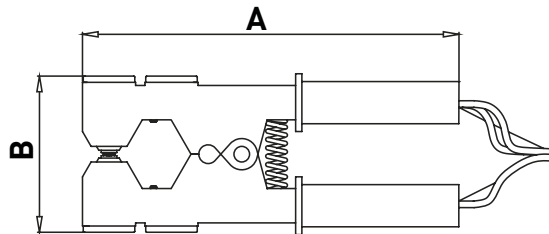
Dimensions GUMT



GUMT.. Series - Earthing control system - Copper-free aluminium

CODE	TYPE	VOLTAGE	DIMENSION [mm]			WEIGHT [kg]
			A	B	C	
B013094010014	GUMT-325	110/220VAC 50/60HZ	210	210	173	5,00
B013094010015	GUMT-325	24 VDC	210	210	173	5,00
B013094010013	GUMT-325 + 1 CLAMP PTA ISEO 2	110/220VAC 50/60HZ	210	210	173	8,36
B013094010011	GUMT-325 + 2 CLAMPS PTA ISEO 2	110/220VAC 50/60HZ	210	210	173	11,72

Dimensions PTA



PTA.. Series - Clamps

CODE	TYPE	CABLE TYPE	CABLE LENGTH [mt]	CLAMP OPENING [mm]	DIMENSIONS [mm]			WEIGHT [Kg]
					A	B	DEPTH	
B091015160001	PTA ISEO-1	1X6MM2 PUR	11	MAR-20	250	110	35	1,56
B091015160002	PTA ISEO-2	3X3MM2 PUR	11	MAR-20	250	110	35	3,36

PTA ISEO-1: Simply Earth clamp with yellow/green cable.

PTA ISEO-2: Double circuit Earth clamp, suitable to be combined with our Earth control system GUMT-325.

PTA is made of copper-free aluminium and the electrical continuity is ensured by the carbonitrided steel contact tips, which make a firm connection to any foothold having a thickness between 2 and 20 mm.